

WWW.UNIQUEPUMP.COM

Performance that shows in
Every Flow



UNIQUE
Pump System



MECHANICAL SEAL



Type 41



Type 42

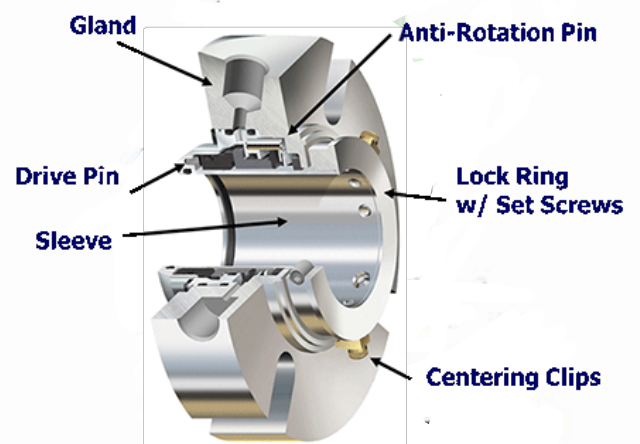
SEAL TYPE 41 & 42 - SINGLE COIL SPRING

PRODUCT DESCRIPTION

The Seal Type 41 with Single Spring design and is depended on the Shaft Rotation. Looking from Sliding Face of the Rotating Seal Ring is designed as right hand Spring for Shaft Rotation and vice-versa. In Seal Type 41 ('O' Ring Type) is designed as Torque Transmission from Drive Collar to Spring and Seal Ring. In Seal Type 42 ('V' Packing Type) is designed as Torque Transmission from Drive Collar to Spring and Seal Ring to be done through Sturdy Drive Lugs. These Seals is cost effective for Basic Application Equipment such as Centrifugal Pump and other Equipment with Rotating Shaft, Handling Crystallizing Slurry, Suspended Solid Slurry, Saturated Chemical Slurry and General Chemical Slurry.

DESIGN FEATURES

Single Acting Unbalance Pusher type Mechanical Seal. Inside Mounted Mechanical Seal. Spring Design depended on shaft rotation. Type 42 seal having Universal Chemical Compatibility due to design of PTFE Elastomer



Design also available as per DIN EN 12756 standard

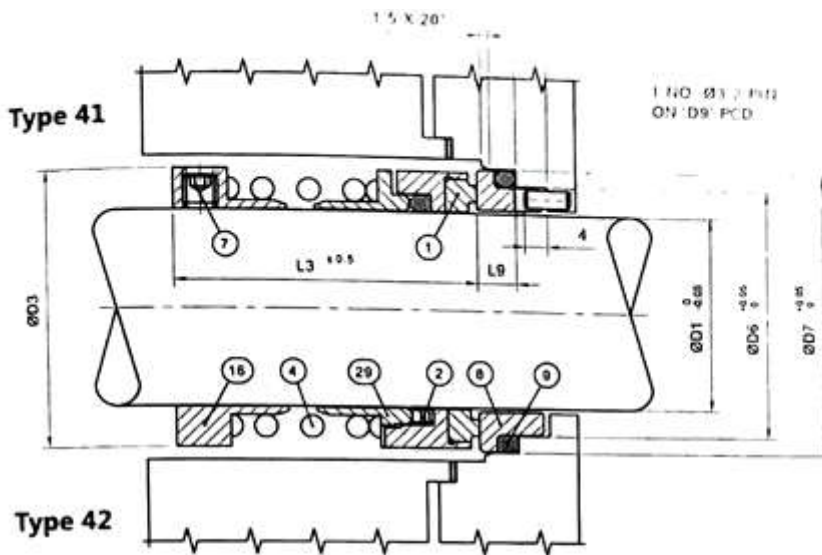


MATERIALS

Seal Ring Faces : Carbon, SiC and TC
 Seat Faces : Ceramic, SiC and TC
 Elastomer : Viton, PTFE, GFT, TTV, EPDM, NBR, Buna-N
 MOC : SS 316

OPERATING CAPABILITIES

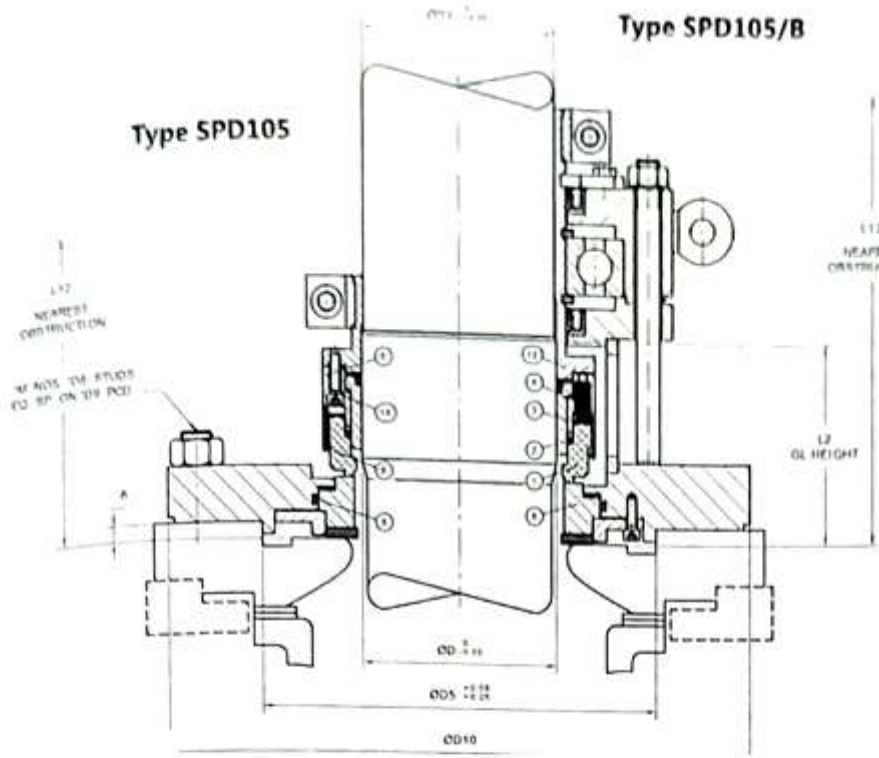
Shaft Dia. : 10mm to 100mm
 Pressure : Up to 10 bar
 Temperature: -20°C to 150°C
 Speed : 3000 r.p.m.



Part No.	Description
1	Seal Ring
2	O-Ring / Packing
4	Spring
7	Set Screw
8	Seat
9	O-Ring / Packing
16	Drive Ring
29	Pusher Ring

Single Coil Spring
e-41 & 42

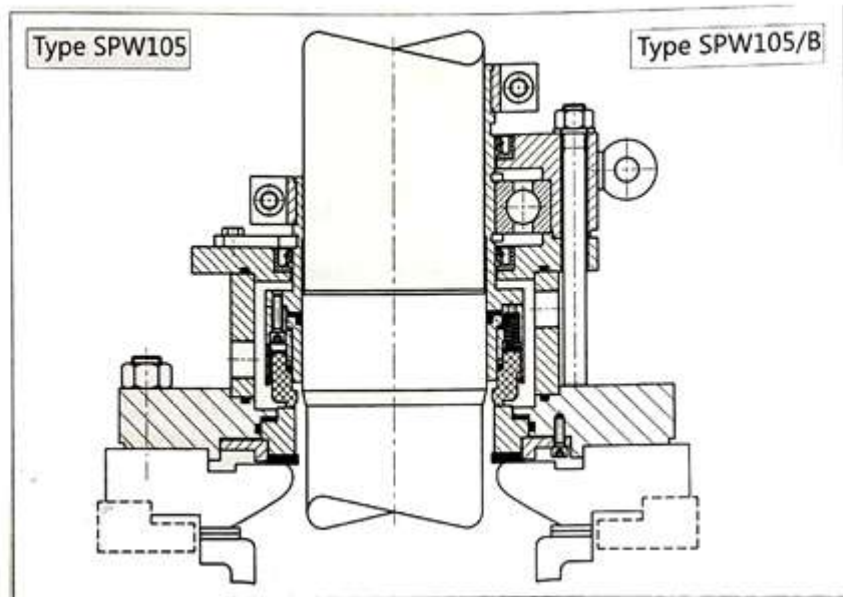
SEAL SIZE		D3	D6	D7	D9	L3	L6	L7	L9
inch	mm								
0.875	22.22	37.00	32.00	38.10	28.50	48.00	4.50	5.50	6.80
1.000	25.40	40.00	35.20	41.28	31.50	48.00	4.50	5.50	6.80
1.125	28.58	43.00	38.30	44.45	34.50	50.00	4.50	5.50	6.80
1.250	31.75	47.00	41.60	47.62	37.90	50.00	4.50	5.50	6.80
1.375	34.92	49.50	44.70	50.80	41.10	52.50	4.50	5.50	6.80
1.500	38.10	55.00	47.90	53.98	44.30	52.50	4.50	5.50	6.80
1.625	41.28	58.00	54.25	60.30	50.50	57.00	5.00	5.50	8.15
1.750	44.45	59.50	57.42	63.50	57.00	62.50	5.00	5.50	8.15
1.875	47.62	63.50	60.60	66.68	61.00	62.50	5.00	5.50	8.15
2.000	50.80	65.00	63.75	69.85	61.00	65.50	5.00	5.50	8.10
2.125	53.98	68.00	70.10	76.20	70.20	67.00	5.50	6.50	9.00
2.250	57.15	72.00	73.30	79.38	72.70	70.00	5.50	6.50	9.00
2.375	60.32	78.50	76.45	82.55	72.70	72.00	5.50	6.50	9.00
2.500	63.50	81.50	79.65	85.72	76.00	72.00	5.50	6.50	9.00
2.625	66.68	84.50	79.65	85.72	76.00	74.00	6.00	7.50	9.80
2.750	69.85	87.50	82.80	88.90	79.00	74.00	6.00	7.50	9.80
2.875	73.02	90.00	85.70	95.25	81.40	78.50	7.50	5.50	11.90
3.000	76.20	95.50	88.90	98.42	85.30	82.50	7.50	5.50	11.90
3.125	79.38	101.00	92.05	101.60	91.50	82.50	7.50	5.50	11.90
3.250	82.55	103.00	95.25	104.78	91.50	84.50	7.50	5.50	11.90
3.375	85.72	108.00	98.40	107.95	94.00	84.50	7.50	5.50	11.90
3.500	88.90	114.00	101.60	111.12	98.40	88.00	7.50	5.50	11.90
3.625	92.08	114.00	104.75	114.30	100.00	88.00	8.50	5.80	13.00
3.750	95.25	118.00	107.95	117.48	104.00	90.50	8.50	5.80	13.00
3.875	98.42	122.00	111.10	120.65	107.00	90.50	8.50	5.80	13.00
4.000	101.6	125.00	114.30	123.82	110.00	95.50	8.50	5.80	13.00



Part No.	Description
1	Seal Ring
2	O-Ring
3	Thrust Ring
4	Spring
5	Spring Holder
6	Snap Ring
8	Seat
9	O-Ring
12	Sleeve
14	Cap Screw

SHAFT D mm	D1	D5	M, D8	D9	D10	L2	L12 521D	L12 521DB
40.00	38.00	114.00	4, M16	145.00	170.00	80.00	170.00	230.00
50.00	48.00	126.00	8, M16	155.00	180.00	80.00	180.00	240.00
60.00	58.00	137.00	8, M16	170.00	195.00	90.00	180.00	240.00
80.00	78.00	167.00	8, M16	200.00	225.00	90.00	200.00	260.00
100.00	98.00	203.00	8, M16	270.00	295.00	90.00	200.00	260.00
125.00	120.00	220.00	8, M20	295.00	325.00	103.00	220.00	280.00

Due to continuous improvement specifications and dimensions may change without prior notice.



UNIQUE PUMP SYSTEMS

G-316/315, Kailash Industrial Complex, Park Site, Vikhroli (W), Mumbai — 400 079

- Telefax (022 025182235) • Mobile - 098206 25476 / 9819830689 • Website : www.uniquepump.com
- Email: uniquepump@gmail.com